

# UNION Door Closers

RetroV

Replacement Variable Power Door Closer



## Application:

**The new, easy way to replace Briton 2003 Series door closers and keep your existing door...the new, high performance RetroV from UNION**

- Identical fixing dimensions and footprint to popular UK door closer designs including Briton 2003, 2004 and 2003V
- Sympathetically designed to blend with other traditional door closers that have been used or are currently fixed to other doors nearby
- Suitable for both fire resistant timber and metal doors as well as other internal doors
- Sizes EN 3-4 wind through adjustable rack & pinion door closer – adjustable closing forces to suit application
- Fully tested as both size EN3 and EN4 in all 3 fixing positions
- Ideal for retro fit but also highly suited to 1st fit applications



## Standards:

- Certificate Number: 0843-CPR-0359 (CE mark not valid if door width/mass exceeds values shown)
- 3rd party tested to BS EN 1154
- RetroV grades

3	8	¾	1*	1	3
---	---	---	----	---	---

\*Included in fire tests to BS EN 1634 with assessment for use on timber fire doors with intumescent protection up to FD120 and metal doors up to FD240

## Specification:

- Aluminium body, steel armset
- Independent door speed and latch controls
- Non-handed with adjustable power for maximum flexibility
- Concealed fixings and adjustment controls
- Square steel cover (designed to match existing units)
- Fully adjustable armset
- Supplied complete with screws and parallel arm bracket
- Easy to use template and pictorial fitting instructions
- Max door width is 1100mm (all 3 install positions)
- Max door weight is 80kg (all 3 install positions)
- Max opening angle 130 degrees

## Finish:

- SE Silver



# UNION Door Closers

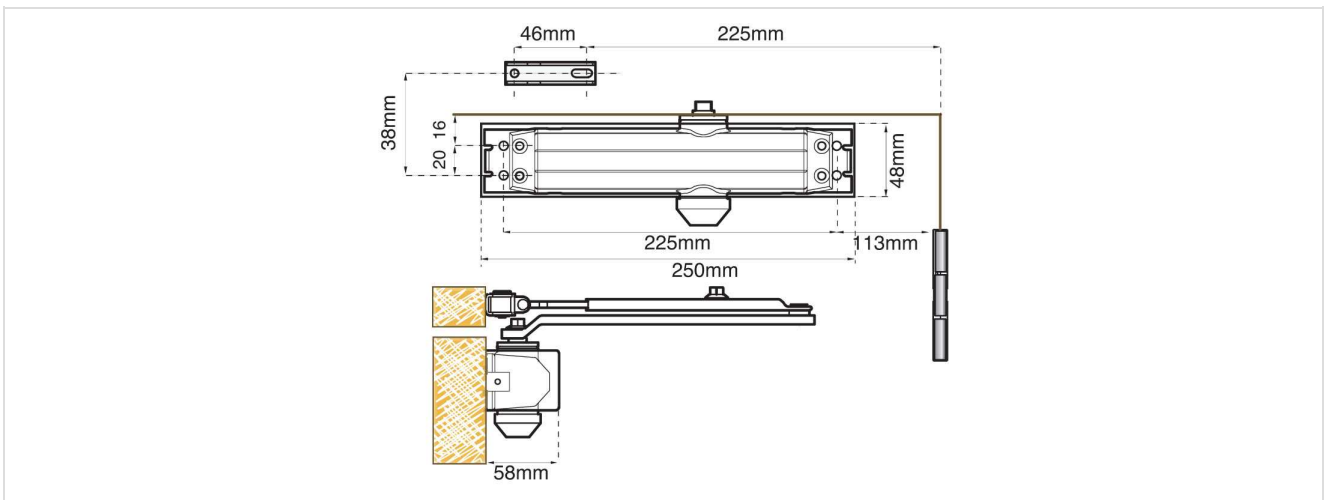
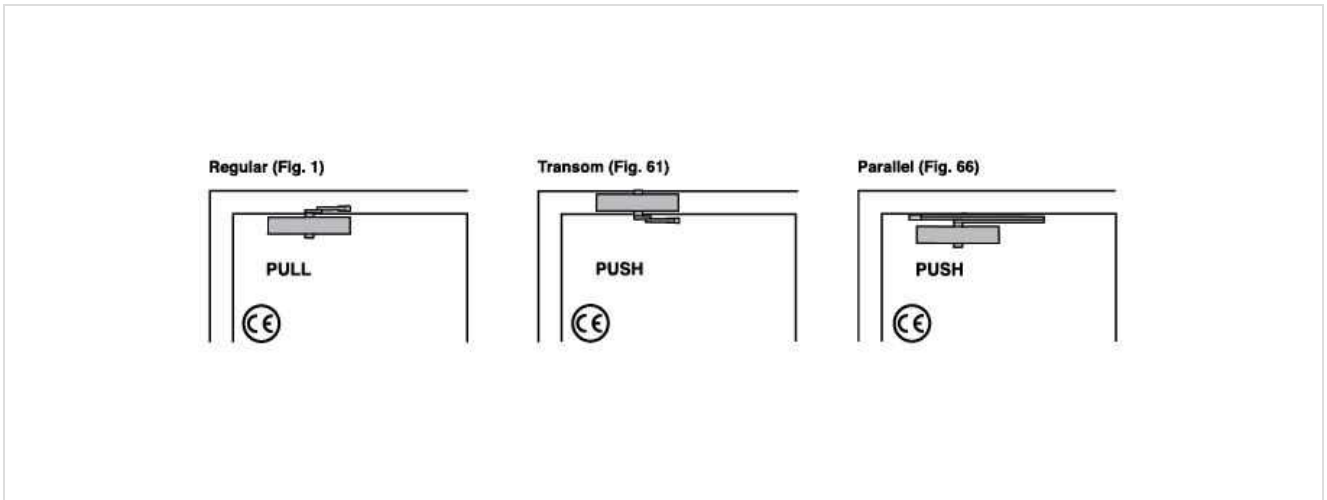
RetroV

Replacement Variable Power Door Closer



ASSA ABLOY

## Technical Design:



## Variants:

Code	Description
J-RETROV-SIL	REPLACEMENT DOOR CLOSER VARIABLE EN#3-4 SILVER